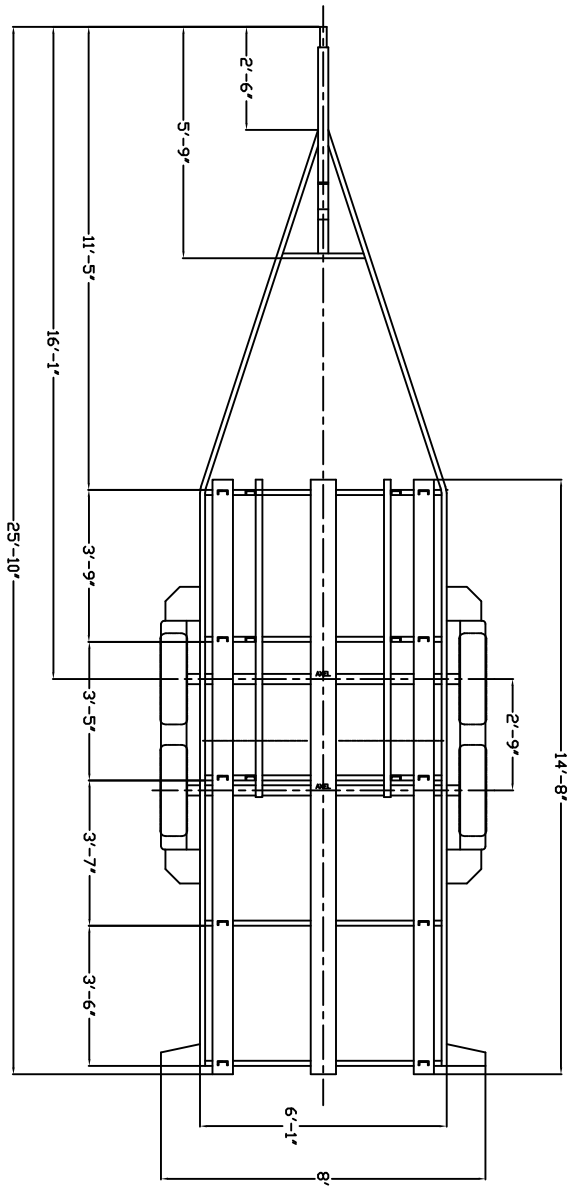
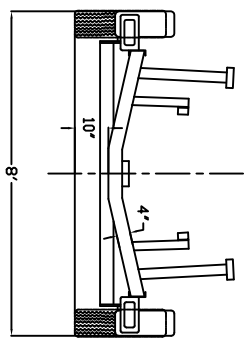
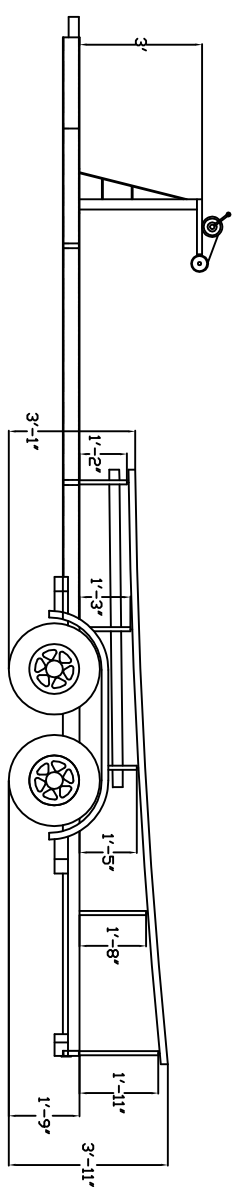


REVISIONS			
REV	DESCRIPTION	DATE	BY
REL	INITIAL RELEASE	04/04/07	V V



DET	ITEM	DESCRIPTION	QTY
	TOLERANCES		
	UNLESS OTHERWISE SPECIFIED		
	X ±.1		
	ANGLES 3/16"		
	3/16 ±.05		
	3/16 ±.05		
	ALL DIMENSIONS ARE IN INCHES		
DRWGR	V VASQUEZ		
CHECK			
DATE	04-22-00117		
DRW NO.			
REP.			
SHEET	1	OF	1

Duffy Electric Boat Co.
 1720 Harvard Avenue - Memphis, TN 38103
 (901) 521-1111 - FAX (901) 521-1110 - www.duffyboat.com

D-22 TRAILER